

Ecco Power Flow 328S-B..... Prod. No. 8621 0715 00
 Ecco Power Flow 328S-B-A..... Prod. No. 8621 0715 46
 Ecco Power Flow 328S-B-AA..... Prod. No. 8613 2346 25

Ecco Power Flow 522S-B..... Prod. No. 8621 0716 00
 Ecco Power Flow 522S-B-A..... Prod. No. 8621 0716 01
 Ecco Power Flow 522S-B-AA..... Prod. No. 8621 0716 02

Ecco Power Flow 640S-B..... Prod. No. 8621 0723 00
 Ecco Power Flow 640S-B-A..... Prod. No. 8621 0723 46
 Ecco Power Flow 640S-B-AA..... Prod. No. 8621 0723 50

Ecco Power Flow 860S-B..... Prod. No. 8621 0724 00
 Ecco Power Flow 860S-B-A..... Prod. No. 8621 0724 01

Ecco Power Flow 328S-T-A..... Prod. No. 8613 2346 29
 Ecco Power Flow 328S-T-AA.....Prod. No. 8613 2346 26

Ecco Power Flow 328S-TP-A..... Prod. No. 8621 0715 05
 Ecco Power Flow 328S-TP-AA..... Prod. No. 8621 0715 10

Ecco Power Flow 328S-TP-A-C.....Prod. No. 8621 0715 25
 Ecco Power Flow 328S-TP-AA-C...Prod. No. 8621 0715 15

Ecco Power Flow 522S-T-A..... Prod. No. 8621 0716 03
 Ecco Power Flow 522S-T-AA..... Prod. No. 8621 0716 04

Ecco Power Flow 640S-T-A..... Prod. No. 8613 2346 59
 Ecco Power Flow 640S-T-AA..... Prod. No. 8613 2346 60

Ecco Power Flow 860S-T-A..... Prod. No. 8621 0724 03

Designation system

Ex. 522S-B-AA

- A** = Air preparation unit for air assist gun.
- A** = Air preparation unit for pump and suction hose.
- B** = Bare pump with wall bracket and high pressure filter.
- S** = Stainless steel pump part.
- 22** = Pressure ratio fluid: intake air, 22:1.
- 5** = 5" air motor.

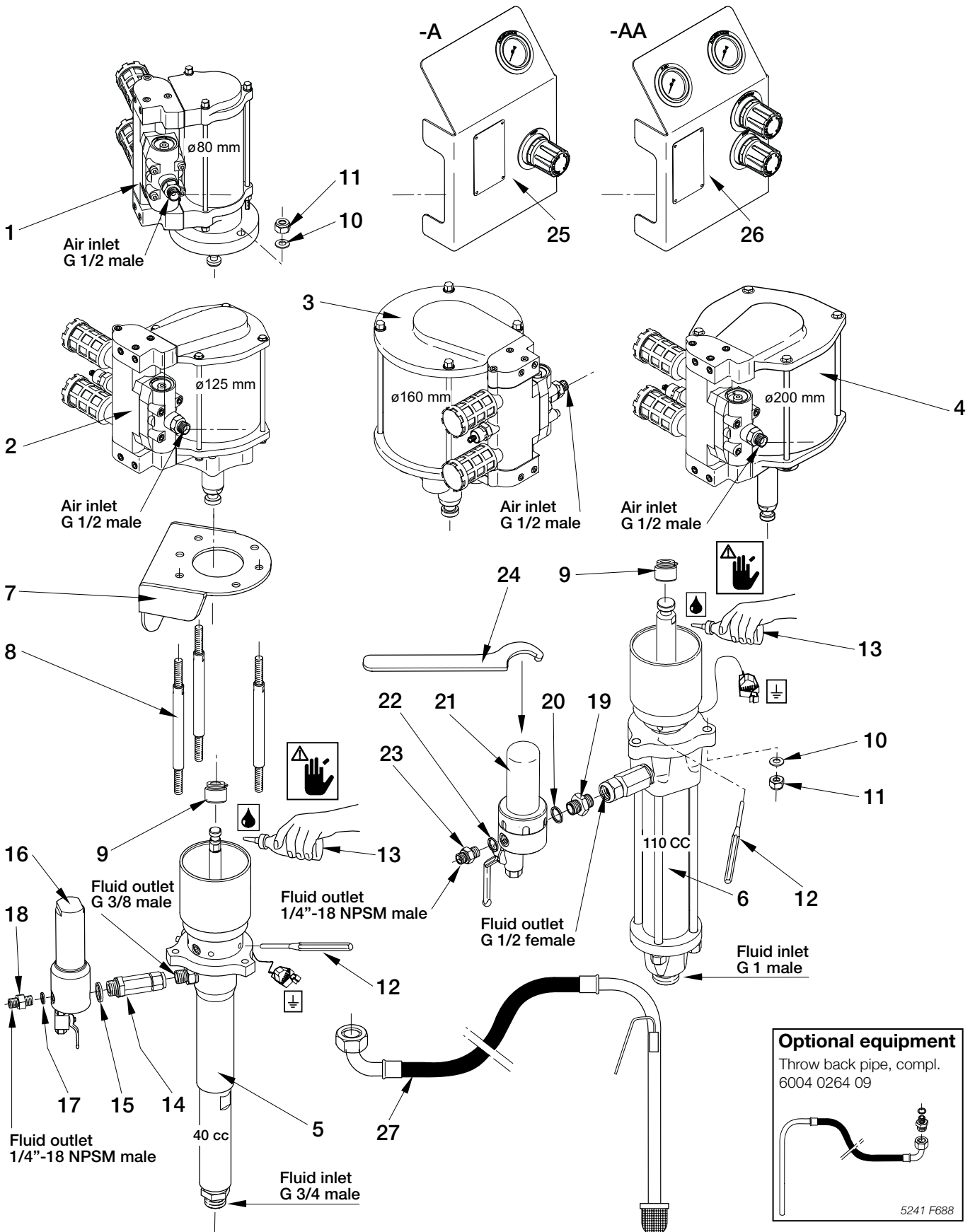
Designation system

- T** = Trolley.
- TP** = Tripod.
- A** = Air preparation unit for pump.
- AA** = Air preparation unit for air assist gun.
- C** = Container 6 lit.



Pump type	Ecco Power Flow			
	328S	522S	640S	860S
Pressure Ratio	28:1	22:1	40:1	60:1
Capacity (cc/double stroke)	40	110	110	110
Paint inlet	G 3/4 male	G 1 male	G 1 male	G 1 male
Paint outlet	G 3/8 male	G 1/2 female	G 1/2 female	G 1/2 female
Air inlet	G 1/2 male	G 1/2 male	G 1/2 male	G 1/2 male
Min./Max. air inlet pressure, bar	2/8	2/8	2/8	2/6
Max. air consumption, lit/min	400	900	1900	2300
Max. output pressure, bar	224	176	320	360

Ecco Power Flow



Equipment (See page 5)

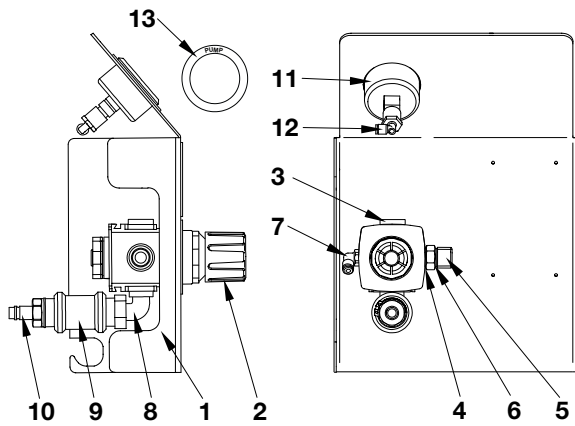
Part numbers **in bold type** designate consumption parts.

Ref. No.	Part number	Qty				Description
		328S-B	Ecco Power Flow		860S-B	
			522S-B	640S-B		
1	6004 0265 65	1	-	-	-	Air motor ø 80 mm (see spare parts list No. 9836 4094 01, ESL 12/10-37)
2	6004 0272 00	-	1	-	-	Air motor ø 125 mm (see spare parts list No. 9836 4091 01, ESL 12/10-35)
3	6004 0266 48	-	-	1	-	Air motor ø 160 mm (see spare parts list No. 9836 4092 01, ESL 12/10-36)
4	6004 0273 00	-	-	-	1	Air motor ø 200 mm (see spare parts list No. 9836 4095 01, ESL 12/10-38)
5	6004 0265 06	1	-	-	-	Pump part 40 cc (see spare parts list No. 9836 4097 01, ESL 12/10-40)
6	6004 0266 08	-	1	1	1	Pump part 110 cc (see spare parts list No. 9836 4096 01, ESL 12/10-39)
7	6004 0264 51	1	1	1	1	Bracket
8	6004 0265 04	3	-	-	-	Tie rod
8	6004 0266 04	-	3	3	3	Tie rod
9	6004 0265 05	1	-	-	-	Coupling
9	6004 0266 03	-	1	1	1	Coupling
10	0301 2344 00	3	3	3	3	Washer (BRB 10.5 x 20 fz)
11	0291 1161 00	3	3	3	3	Loc Nut (M10)
12	6003 5428 06	1	1	1	1	Mandrel (ø 6 mm)
13	6004 0031 00	1	1	1	1	Solvent cup oil (250 ml)
14	6004 0265 08	1	-	-	-	Connector
15	0653 1124 00	1	-	-	-	Gasket (21/26 x 1 Cu)
16	6004 0265 10	1	-	-	-	High pressure filter (see page 4)
17	0653 1059 00	1	-	-	-	Gasket (13/17 x 1 Cu)
18	6003 6793 00	1	-	-	-	Nipple (G 1/4 x 1/4"-18 NPSM SS)
19	6002 0242 46	-	1	1	1	Nipple (G 1/2 x G1/2 SS)
20	0653 1124 00	1	1	1	1	Gasket (21/26 x 1 Cu)
21	6004 0266 11	-	1	1	1	High pressure filter (see page 4)
22	0653 1104 00	-	1	1	1	Gasket (17/24.5 x 1 Cu)
23	6202 2197 00	-	1	1	1	Nipple (G 3/8 x 1/4-18 NPSM SS)
24	6803 0794 00	-	1	1	1	Hook wrench

Part numbers **in bold type** designate consumption parts.

Ref. No.	Part number	Qty							Description
		328S-B-A	328S-B-AA	Ecco Power Flow		640S-B-A	640S-B-AA	860S-B-A	
				522S-B-A	522S-B-AA				
-	8621 0715 00	1	1	-	-	-	-	-	High Pressure pump Ecco Power Flow 328S-B (see list above)
-	8621 071600	-	-	1	1	-	-	-	High Pressure pump Ecco Power Flow 522S-B (see list above)
-	8621 0723 00	-	-	-	-	1	1	-	High Pressure pump Ecco Power Flow 640S-B (see list above)
-	8621 0724 00	-	-	-	-	-	-	1	High Pressure pump Ecco Power Flow 860S-B (see list above)
25	6004 0264 40	1	-	1	-	1	-	1	Air preparation unit -A (see page 4)
26	6004 0264 41	-	1	-	1	-	1	-	Air preparation unit -AA (see page 4)
27	6004 0265 09	1	1	-	-	-	-	-	Suction hose, compl. (3/4" hose 0.75 m, pipe 0.5 m)
-	6003 6136 05	1	1	-	-	-	-	-	- Filter (G 1/2 30 mesh)
27	6004 0266 09	-	-	1	1	1	1	1	Suction hose, compl. (1" hose 0.75 m, pipe 0.5 m)
-	6003 6136 28	-	-	1	1	1	1	1	- Filter (G 1 30 mesh)

Air preparation unit -A
6004 0264 40



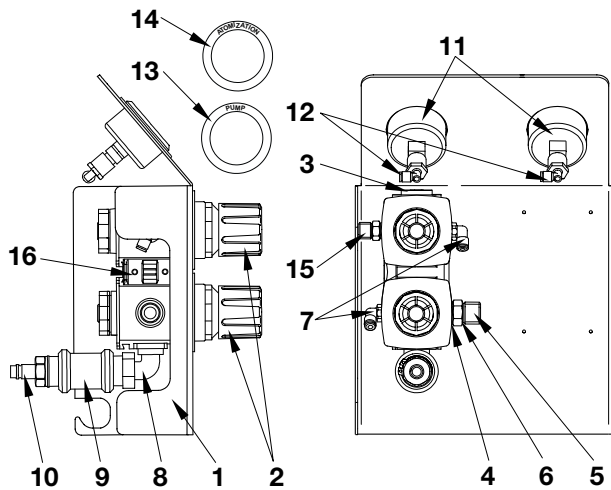
Part numbers **in bold type** designate consumption parts.

Ref. No.	Part number	Qty	Description
1	-	1	Panel
2	8202 7206 53	1	Regulator G1/2
3	0686 6444 03	1	Plug (G1/2 fz)
4	6803 2003 00	1	Sealing ring
5	6001 2617 00	1	Nipple (G1/4 x G 3/8 SS)
6	6803 2004 00	1	Sealing ring
7	6804 0230 23	1	Push in coupling (G1/4-4)
8	0603 4223 04	1	Elbow (G1/2 x G1/2 male)
9	6004 0264 53	1	Sleeve valve
10	6803 0289 20	1	Nipple (G1/2 male)
11	6804 0192 15	1	Pressure gauge (G 1/4 0-10 bar)
12	6004 0169 19	1	Coupling elbow (G1/4-4)
13	6004 0264 31	2	Washer PUMP
-	6804 0188 00	a)	Tube (PUR 4 x 0.75-BL)

a) By the metre.

5241 F735

Air preparation unit -AA
6004 0264 41



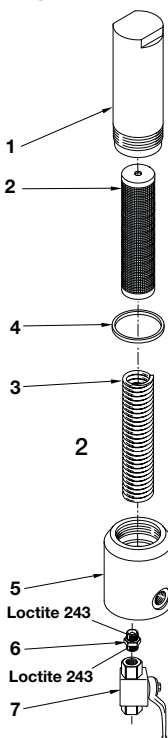
Part numbers **in bold type** designate consumption parts.

Ref. No.	Part number	Qty	Description
1	-	1	Panel
2	8202 7206 53	2	Regulator 1/2
3	0686 6444 03	1	Plug (G1/2 fz)
4	6803 2003 00	1	Sealing ring
5	6001 2617 00	1	Nipple (G1/4 x G 3/8 SS)
6	6803 2004 00	1	Sealing ring
7	6804 0230 23	2	Push in coupling (G1/4-4)
8	0603 4223 04	1	Elbow (G1/2 x G1/2 male)
9	6004 0264 53	1	Sleeve valve
10	6803 0289 20	1	Nipple (G1/2 male)
11	6804 0192 15	2	Pressure gauge (G 1/4 0-10 bar)
12	6004 0169 19	2	Coupling elbow (G1/4-4)
13	6004 0264 31	2	Washer PUMP
14	6004 0264 32	2	Washer ATOMIZATION
15	0603 4206 00	1	Nipple (G1/4 x G1/4 male)
16	8202 7206 51	1	Connection
-	6804 0188 00	a)	Tube (PUR 4 x 0.75-BL)

a) By the metre.

5241 F734

High pressure filter 6004 0265 10

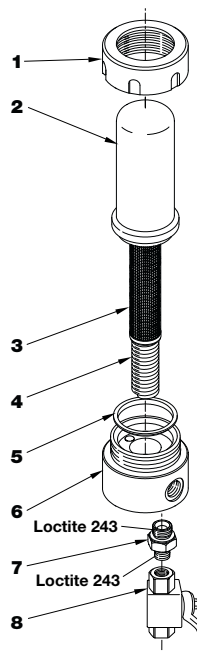


Part numbers **in bold type** designate consumption parts.

Ref. No.	Part number	Qty	Description
1	6004 0265 60	1	Filter Body
2	6004 0265 66	1	Filter (60 mesh)
3	6004 0265 61	1	Spring
4	6004 0265 62	1	Packing ring
5	6004 0265 63	1	Body
6	6002 0235 46	1	Nipple (G 1/4 x G 1/4 SS)
7	6802 9786 00	1	Ball valve (1/4)
Optional equipment			
2	6004 0265 67	1	Filter (100 mesh)
2	6004 0265 68	1	Filter (200 mesh)

5241 F675

High pressure filter 6004 0266 11

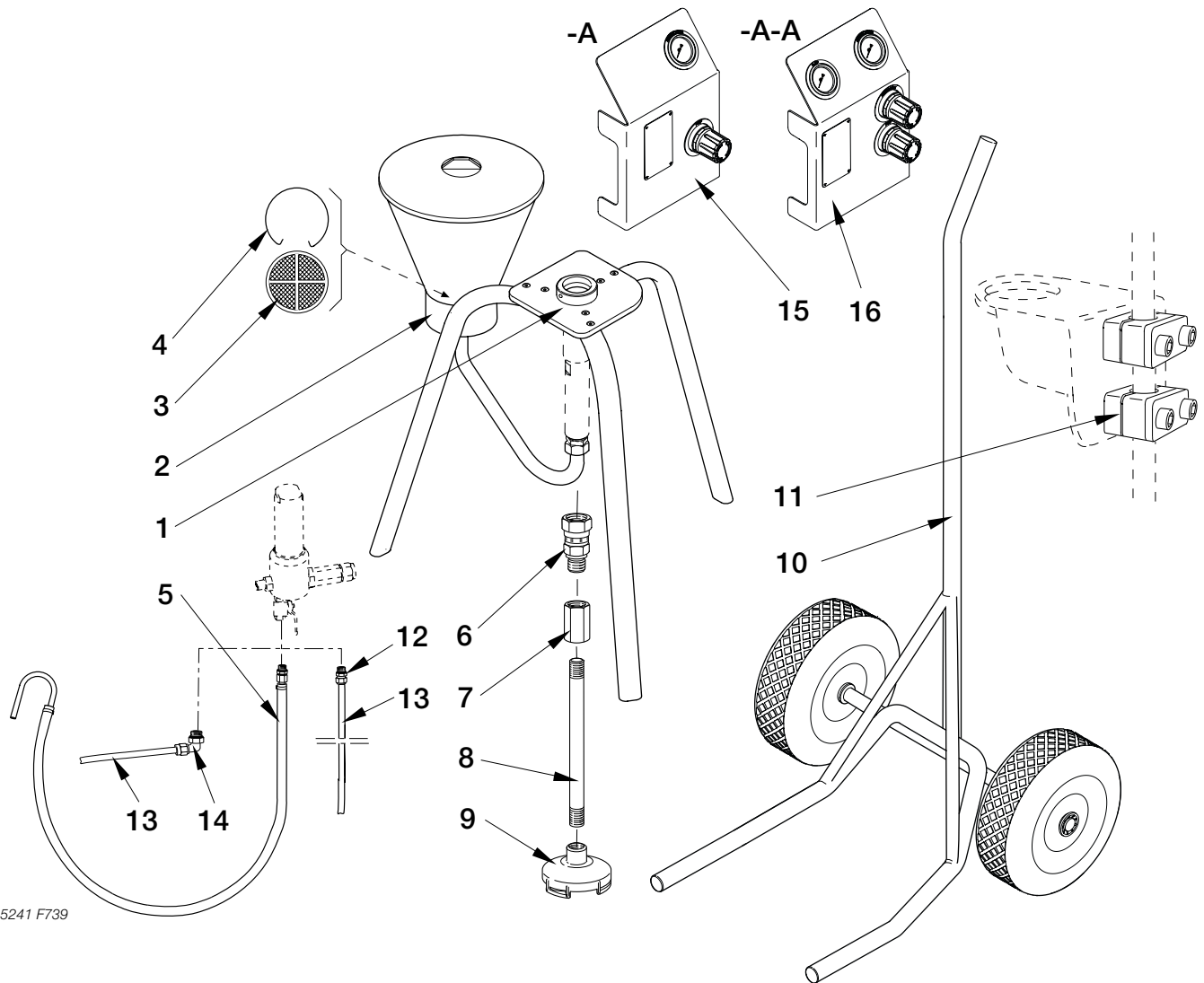


Part numbers **in bold type** designate consumption parts.

Ref. No.	Part number	Qty	Description
1	6004 0266 41	1	Cun nut
2	6004 0266 42	1	Cup
3	6803 5858 00	1	Filter (60 mesh)
4	6004 0266 43	1	Spring
5	6004 0266 44	1	Packing
6	6004 0266 45	1	Body
7	6002 0238 46	1	Nipple (G 3/8 x G 1/4 SS)
8	6802 9786 00	1	Ball valve (1/4)
Optional equipment			
3	6803 5856 00	1	Filter (30 mesh)
3	6803 5867 00	1	Filter (100 mesh)
3	6803 5868 00	1	Filter (200 mesh)

5241 F669

Equipment



5241 F739

Equipment for Tripod with pump type Ecco Power Flow 328SB

Part numbers **in bold type** designate consumption parts.

Ref. No.	Part number	Qty	Description
1	6004 0264 50	1	Tripod, compl.
2	6004 0264 60	1	Container (volume 6 lit.)
3	6004 0264 62	1	Strainer (20 mesh)
4	6004 0264 61	1	Torsion spring
5	6004 0264 67	1	Circulation hose, compl. (1m)
6	6002 0245 46	1	Adapter
7	6003 6878 46	1	Socket
8	6003 6869 02	1	Suction tube
9	6004 0264 15	1	Suction strainer, compl. (20 mesh)
-	6004 0264 62	1	- Strainer (20 mesh)
-	6004 0264 16	1	- Circlip
12	6003 9827 83	1	Coupling (G 1/4)
13	6004 0122 00	a)	Paint hose (FEP 8/10)
14	6003 9827 67	1	Coupling (G 1/4)
15	6004 0264 40	1	Air preparation unit -A
16	6004 0264 41	1	Air preparation unit -A-A

a) By the metre.

Equipment for Trolley with pump type Ecco Power Flow 328SB, -522SB, -640SB, -860SB

Part numbers **in bold type** designate consumption parts.

Ref. No.	Part number	Qty	Description
10	6004 0266 50	1	Trolley, compl.
11	6004 0266 52	2	Pipe clamp, compl.
13	6004 0122 00	a)	Paint hose (FEP 8/10)
14	6003 9827 67	1	Coupling (G 1/4)

a) By the metre.



S

Återvinning

ECCO Finishing AB jobbar för en hållbarare global miljö, därför vill vi att förbrukad produkt återvinns på bästa sätt. Detta görs lämpligast genom att skicka tillbaka den förbrukade produkten till ECCO Finishing AB (paketet märkt med "Återvinning"), eller om möjlighet finnas att demontera produkten och källsortera delarna enligt gällande föreskrifter.

Retur adress:

ECCO Finishing AB
Att. Återvinning
Afsengatan 6
532 37 Skara
Sweden

GB

Recycling

ECCO Finishing AB is working for a more sustainable global environment, that's why we would like to make sure that the consumed product is recycled in the best possible way. This is best done by returning the consumed product to ECCO Finishing AB (package marked with "recycling"), or isible dismantled and recycled according to the applicable local regulations.

Return address:

ECCO Finishing AB
Att. Recycling
Afsengatan 6
532 37 Skara
Sweden

D

Recycling

ECCO Finishing AB bemüht sich um nachhaltigen Umgang mit Ressourcen und Umweltschutz. Deshalb möchten wir sicherstellen, dass Produkte und Materialien in der bestmöglichen Weise recycelt werden. Deshalb bieten wir die Möglichkeit der Rücksendung von 'verbrauchten' Produkten zum Recyceln an. Bitte demontieren Sie die Produkte soweit es möglich ist, und sende diese in einem Paket mit der Kennzeichnung 'Recycling' an uns zurück.

Rücksendeanschrift:

ECCO Finishing AB
Att. Recycling
Afsengatan 6
532 37 Skara
Sweden

FR

Recyclage

Ecco Finishing AB réalise des efforts permanents pour la protection de l'environnement, c'est pourquoi nous voulons nous assurer du meilleur recyclage possible de nos produits. Il est préférable pour cela de retourner les produits marqués « recyclable » directement à Ecco Finishing, ou si possible de les recycler sur place dans le respect de la régulation locale.

Adresse de retour:

ECCO Finishing AB
Att. Recycling
Afsengatan 6
32 37 Skara
Sweden