

Spare parts list for  
High-pressure pumps

**Ecco Power Flow 522S-T-A**  
**Ecco Power Flow 640S-T-A**

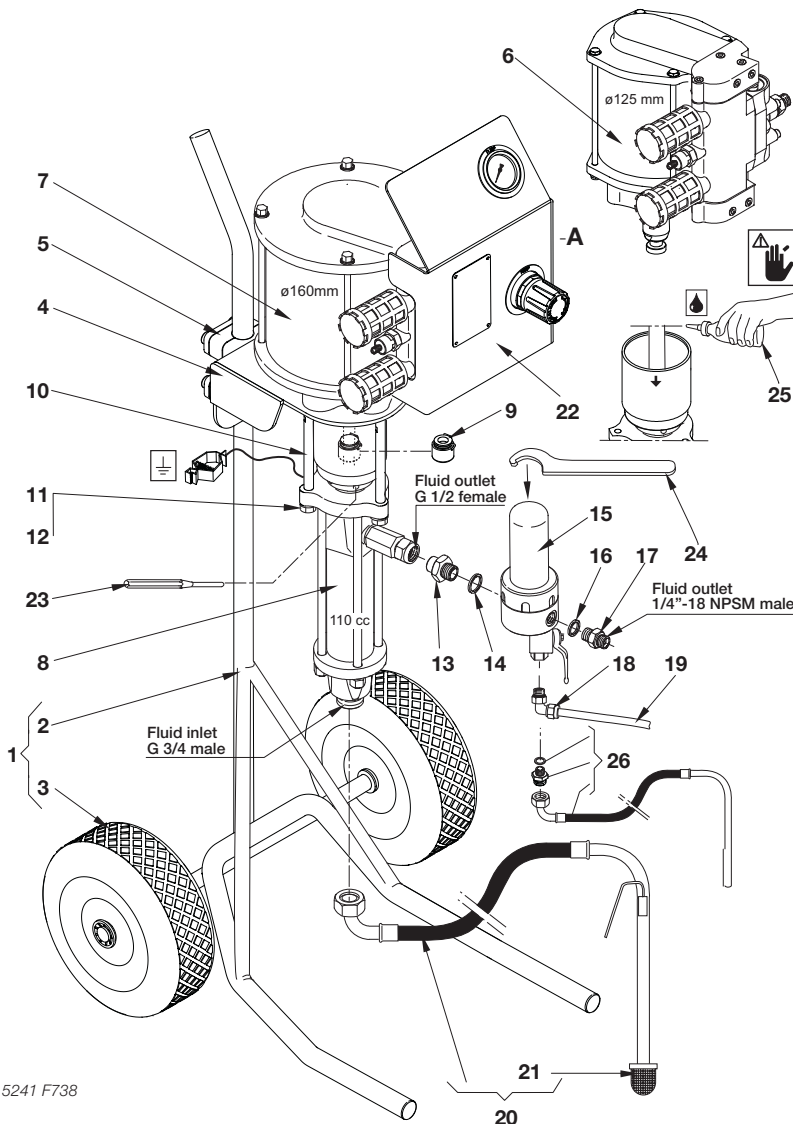


ESL 12/05-67

Ecco Power Flow 522S-T-A.....Prod. No. 8621 0716 03  
Ecco Power Flow 640S-T-A.....Prod. No. 8613 2346 59

**Designation system**  
**522S-T-A**

**5** = 5" Air motor.  
**22** = Pressure ratio fluid: intake air, 22:1  
**S** = Stainless steel pump part.  
**T** = Trolley.  
**A** = Air preparation unit for pump.



5241 F738

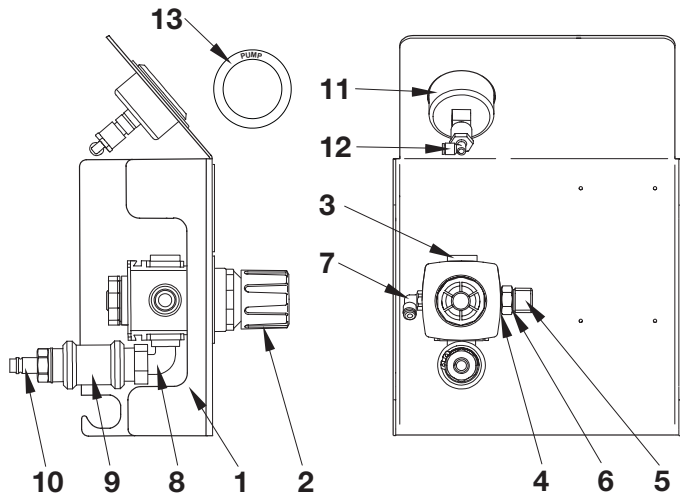
Technical data			
<b>Pump type</b>			
<b>Ecco Power Flow</b>	<b>522S</b>	<b>640S</b>	
Pressure Ratio	22:1	40:1	
Capacity (cc/double stroke)	110	110	
Min./Max. air inlet pressure, bar	2/8	2/8	
Max. air consumption, lit/min	2300	1900	
Max. output pressure, bar	224	320	

Part numbers in bold type designate consumption parts.

Ref. No.	Part number	Qty	Description	Ref. No.	Part number	Qty	Description
1	6004 0266 50	1	Trolley, compl.	12	<b>For Ecco Power Flow 640S-T-A</b>		
2	-	1	- Frame	0301 2335 46	3	Washer (BRB 8.4 x 16 A4)	
3	6004 0266 55	2	- Wheel, compl.	13	6002 0242 46	1	Nipple (G 1/2 x G 1/2 SS)
4	6004 0265 03	1	Mounting bracket	14	<b>0653 1124 00</b>	1	Gasket (21/26 x 1.5 Cu)
5	6004 0266 52	2	Pipe clamp	15	6004 0266 11	1	High pressure filter (see page 4)
6	<b>For Ecco Power Flow 522S-T-A</b>			16	<b>0653 1104 00</b>	1	Gasket (17/24.5 x 1 Cu)
	6004 0272 00	1	Air motor ø125 mm (see spare parts list No. 9836 4091 01, ESL 12/10-35)	17	6202 2197 00	1	Nipple (G3/8 x 1/4-18 NPSM SS)
7	<b>For Ecco Power Flow 640S-T-A</b>			18	6003 9827 67	1	Coupling (G1/4)
	6004 0266 48	1	Air motor ø160 mm (see spare parts list No. 9836 4092 01, ESL 12/10-36)	19	<b>6004 0122 00</b>	1m	Paint hose (FEP 8/10)
8	6004 0266 08	1	Pump part 110 cc (see spare parts list No. 9836 4096 01, ESL 12/10-39)	20	6004 0266 09	1	Suction hose, compl. (1" hose 0.75 m,
9	6004 0266 03	1	Coupling	21	<b>6003 6136 28</b>	1	- Filter (M28 x 1.5 30 mesh)
10	6004 0266 04	3	Tie rod	22	6004 0264 40	1	Air preparation unit -A (see page2)
11	<b>For Ecco Power Flow 522S-T-A</b>			23	6003 5428 06	1	Mandrel (ø 6mm)
	0291 1161 00	3	Loc nut (M10)	24	6803 0794 00	1	Hook wrench
11	<b>For Ecco Power Flow 640S-T-A</b>						<b>Optional equipment</b>
	0291 1128 00	3	Loc nut (M8)	25	<b>6004 0031 00</b>	1	Solvent cup oil (250 ml.)
				26	6004 0264 09	1	Throw back pipe



**Air preparation unit -A**  
**6004 0264 40**



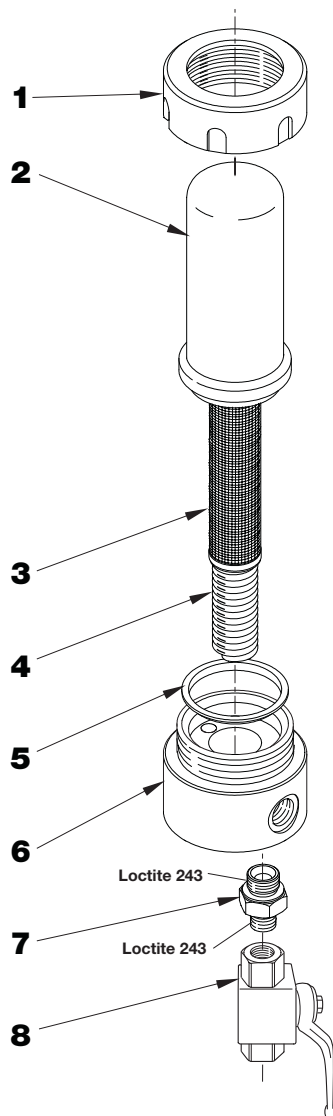
Part numbers in **bold type** designate consumption parts.

Ref. No.	Part number	Qty	Description
1	-	1	Panel
2	8202 7206 53	1	Regulator G1/2
3	0686 6444 03	1	Plug (G1/2 fz)
4	<b>6803 2003 00</b>	1	Sealing ring
5	6001 2617 00	1	Nipple (G1/4 x G 3/8 SS)
6	<b>6803 2004 00</b>	1	Sealing ring
7	6804 0230 23	1	Push in coupling (G1/4-4)
8	0603 4223 04	1	Elbow (G1/2 x G1/2 male)
9	6004 0264 53	1	Sleeve valve
10	6803 0289 20	1	Nipple (G1/2 male)
11	<b>6804 0192 15</b>	1	Pressure gauge (G 1/4 0-10 bar)
12	6004 0169 19	1	Coupling elbow (G1/4-4)
13	6004 0264 31	2	Washer PUMP
-	<b>6804 0188 00</b>	a)	Tube (PUR 4 x 0.75-BL)

a) By the metre.

5241 F735

**High pressure filter 6004 0265 10**



Part numbers in **bold type** designate consumption parts.

Ref. No.	Part number	Qty	Description
1	6004 0266 41	1	Cun nut
2	6004 0266 42	1	Cup
3	<b>6803 5858 00</b>	1	Filter (60 mesh)
4	6004 0266 43	1	Spring
5	<b>6004 0266 44</b>	1	Packing
6	6004 0266 45	1	Body
7	6002 0238 46	1	Nipple (G 3/8 x G 1/4 SS)
8	6802 9786 00	1	Ball valve (1/4)
<b>Optional equipment</b>			
3	<b>6803 5856 00</b>	1	Filter (30 mesh)
3	<b>6803 5867 00</b>	1	Filter (100 mesh)
3	<b>6803 5868 00</b>	1	Filter (200 mesh)

5241 F669