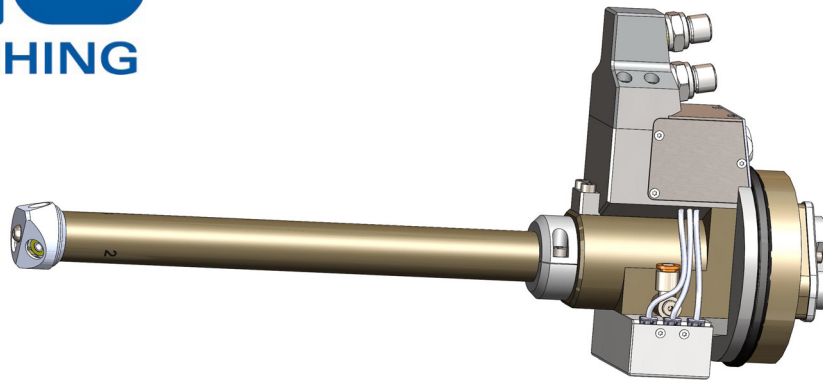
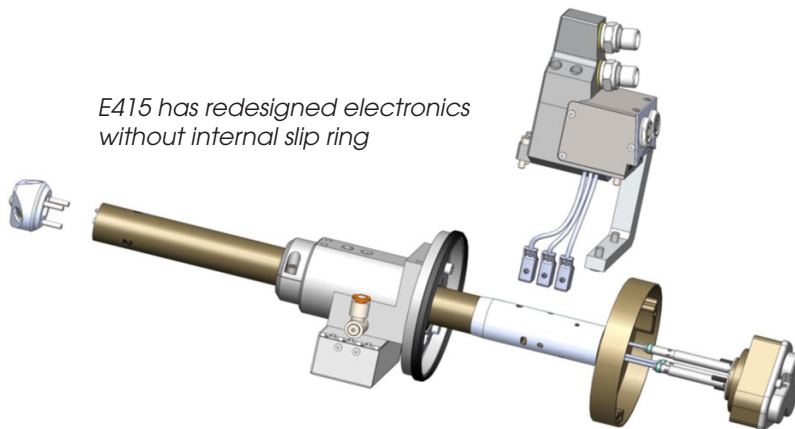


New!

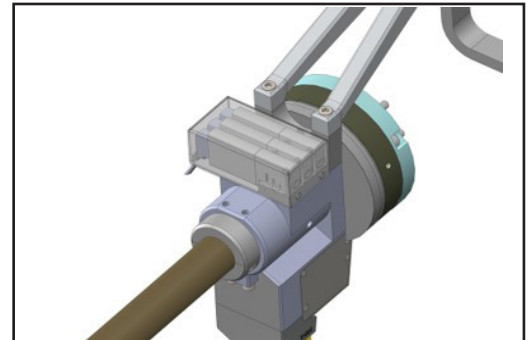


The ECCO 415 is the newest generation of sealing applicators from Ecco Finishing AB. It is designed for seam sealing, under body sealing/spray (UBS) and liquid applied sound deadening (LASD). Compact design and low weight (less than 4kg) make it very versatile and easy to use in confined spaces.



E415 has redesigned electronics without internal slip ring

E415 has solenoid valves now placed externally



ECCO-415 FEATURES

- Single or dual material can be applied with the same unit
- Optional material circulation
- Integrated temperature sensor
- Integrated pressure sensor
- Nozzle head with a wide range of nozzle and slot angles
- Aluminium or stainless steel versions (for water based material)
- Can be insulated for optimal temperature control
- Easy adaptation to different robots
- Maintenance friendly with no internal electronics
- Plug and play replacement for earlier Ecco applicators (400/410)

For cosmetic (hem) sealing, Ecco 470 is recommended.

CUSTOMIZED FINISHING AND SEALING SOLUTIONS